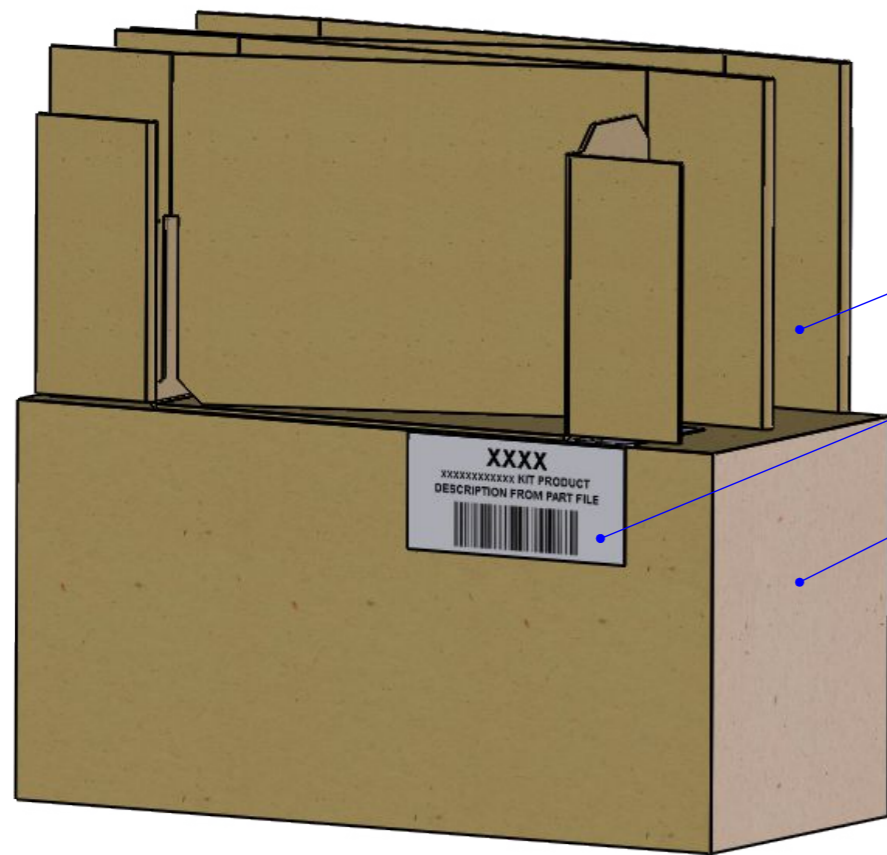


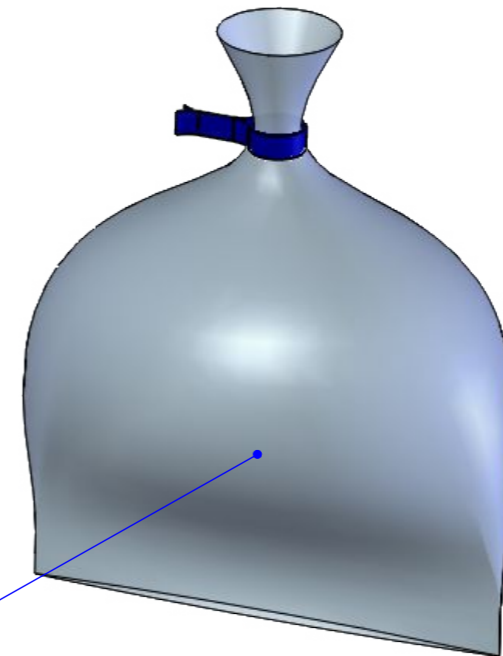
ISSUE:	DRAWN BY:	CHECKED BY:	CRF NO:	DATE:	DESCRIPTION:
a	CH	KB	1302	27/07/16	



PA03 x 1  
Leg Kit Insert

LA038 x 1  
Printed Label, Kit Box

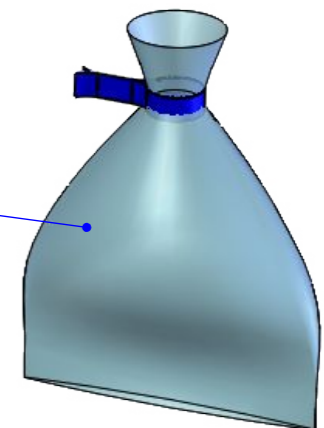
PA88 x 1  
Plain Cardboard Box, 320 x 140 x 160, TGS



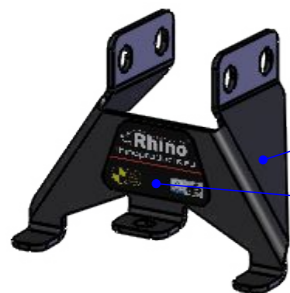
FK167 x 1  
Fitting Kit, 4 Leg Saddle Fixings

FK901 x 1  
Leg fixing kit for JC2

RPI001EU x 1  
Rhino Products Information Sheet

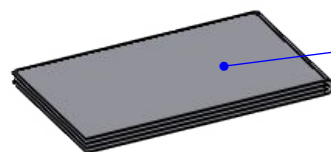


MS201 x 4  
Delta Bar Saddle, M8



MS506 x 4  
JC - Outer Leg

LA029 x 4  
Leg Label, Small

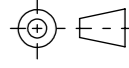


(INJC2D) x 1  
Customer Instruction Sheet(s)

- Notes:
1. Fit Labels to Legs as shown above.
  2. Fold Printed Label along edge of Kit Box.
  3. Put through heat tunnel.



DRAWING NO: <b>JC2D (1 of 3)</b>	DESCRIPTION: <b>2 Bar "JC" Fitting Kit, Delta Bars</b>		DESIGNED BY: C. Horsefield 27/07/16
MATERIAL SIZE: n/a	MATERIAL SPEC: n/a	FINISH: n/a	WEIGHT: 2.87Kg
© NOTE: This drawing is the property of Rhino Products Ltd and must not be used or copied without written consent. The Rhino Products name and logo must remain clearly visible in any reproduction.			

 THIRD ANGLE PROJECTION	
UNLESS OTHERWISE SPECIFIED: <b>DIMENSIONS ARE IN MM</b>	
0.00	±0.2
0.0	±0.5
ANG	±0.5°
DERIVED DIMENSIONS SHOWN IN BRACKETS	
DEBURR AND BREAK ALL SHARP EDGES	
SHEET SIZE A3	SHEET SCALE: 1:3



MS201 x 4



MS506 x 4

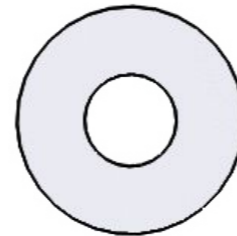


PS030 x 4

(1:1)



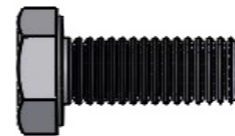
FB003 (M8 x 65) x 8



FW002 (M8) x 16



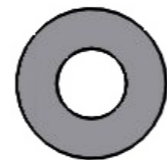
FN006 (M8) x 8



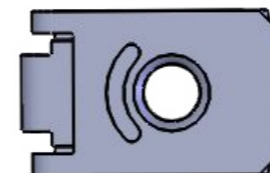
FS041 (M6 x 16) x 4



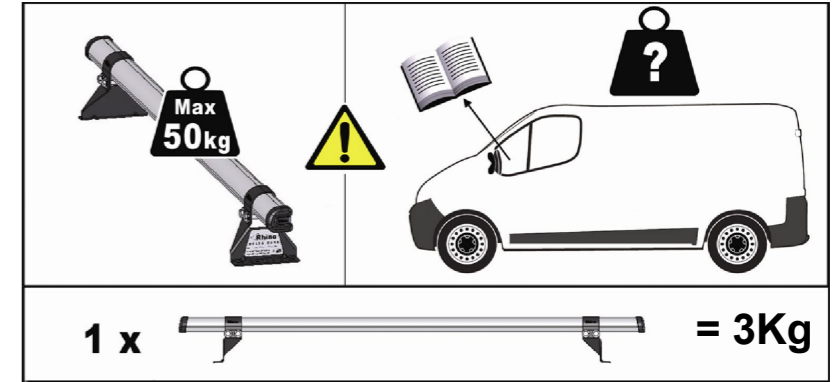
FW008 (M6) x 4



FW001 (M6) x 4



FN020 (M6) x 4



1 x  = 3Kg



10mm x 1



13mm x 2

